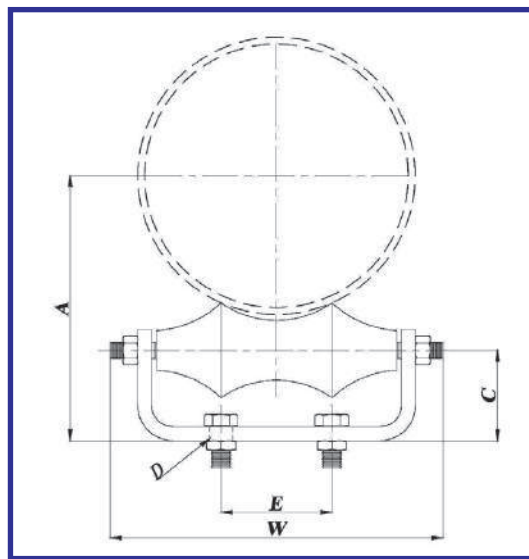


Roller Chair (SPRC)



SELECTION TABLE (Table No: RC42-1)

Model	Pipe Dia	Dimensions						Max. Load (Kg)
		W	A	E	C	Material	D	
SPRC 50	2"	110	80	35	40	6 x 32	13	360
SPRC 75	3"	145	100	50	45	6 x 32	13	360
SPRC 100	4"	180	120	50	50	8 x 38	16	520
SPRC 125	5"	215	135	75	50	8 x 38	16	520
SPRC 150	6"	250	160	80	60	10 x 50	16	520
SPRC 200	8"	285	205	85	75	10 x 50	20	1250
SPRC 250	10"	345	245	130	90	12 x 50	20	1250
SPRC 300	12"	395	295	140	105	12 x 50	20	1600
SPRC 350	14"	440	330	165	120	12 x 60	24	1600
SPRC 400	16"	480	375	210	140	12 x 75	24	3600
SPRC 450	18"	525	420	235	155	12 x 75	24	3600
SPRC 500	20"	555	450	260	165	12 x 75	24	3600
SPRC 600	24"	665	540	310	200	16 x 100	24	5300
SPRC 750	30"	690	615	310	200	20 x 100	24	7400
SPRC 900	36"	840	695	310	200	20 x 100	24	7400

1 Compliance

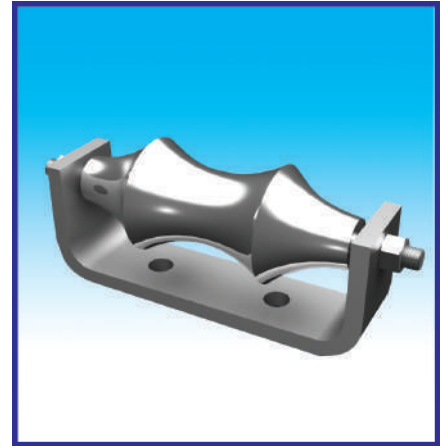
- 1.1 Conforming to MSS-SP69, MSS-SP58(Type 44), BS 3974:part1, Federal Specifications WW-H-171E & A-A-1192A Type 45
- 1.2 EG to ASTM B633SC3, BS 1706 FE/ZN12

2. Application

- 2.1 The roller chairs are used for long horizontal pipe lines which are subjected for temperature fluctuations. These are designed to compensate longitudinal movement of pipe line due to expansion or contraction of both insulated and non-insulated piping. These rollers are typically used in large district cooling/heating plant distribution piping, process pipe lines boilers piping etc.

3. Product Features

- 3.1 OnTides roller chairs are made from solid steel iron rollers for rigid pipe supporting.
 - 3.2 The rollers are available in wide range of material specification
 - 3.2.1 Fully electrogalvanized cast iron rollers are standard.
 - 3.2.2 Stainless steel roller chair (suffix "SS")
 - 3.2.3 Nylon roller chair (suffix "NL")
 - 3.2.4 Hot dip galvanized roller chair(suffix "HDG")
 - 3.2.5 Epoxy powder coated roller chair (suffix "EP")
 - 3.3 The roller pin and rods are made from high tensile steel fully electrogalvanized as standard / hot dip galvanized as optional.
 - 3.4 Optional pipe guide assembly shall be provided to protect the piping in case of water hammer and external vibrations.
4. Note:Insulation protection shield/saddle shall be used under insulation to support insulated piping.



Roller Chair (SPRC)



Optional
Pipe Guide Assembly

Note:

- Due to policy of continual improvement, the specifications are subject to change without prior notice.
- Measurements are subject to 5% tolerance.
- To achieve results, do not overload.

